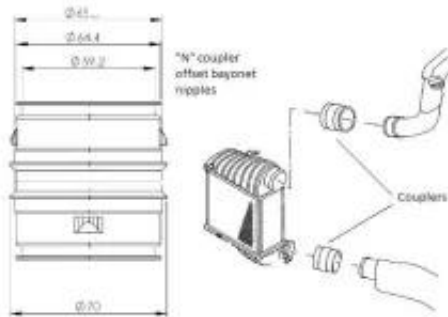


Link do produktu: <https://bizongarage.pl/alloy-male-to-male-bayonet-65mm-coupler-with-offset-nipples-p-39838.html>

Alloy Male to Male Bayonet 65mm Coupler with Offset Nipples



Cena brutto	258,80 zł
Cena netto	258,80 zł
Dostępność	Na zamówienie
Numer katalogowy	379173049
Kod producenta	FMABHCN
Kod EAN	5056721242354

Opis produktu

An alloy male to male bayonet style 65mm coupler with offset bayonet nipples.

This coupler replaces the pressed steel hose coupler that is found on the VW / Audi/SEAT/Skoda 130 hp diesel engines (ARZ engine code). The coupler connects the boost pipework to the intercooler (see diagrams below) This replacement eliminates the problem of the OEM couplers blowing apart. This upgrade is advisable to all software upgraded, or tuned engines and higher mileage standard vehicles. Please note Two couplers are required of different design "M" and "N" These can either be purchased separately or together (pt. no.FMABHCMN) at a reduced cost.

PLEASE NOTE: THE ORIGINAL O-RINGS/SEALS MUST BE RETAINED FOR USE ON THE FORGE HOSES